

LM79XX Series 3-Terminal Negative Regulators

Check for Samples: [LM7905](#), [LM7912](#), [LM7915](#)

FEATURES

- Thermal, Short Circuit and Safe Area Protection
- High Ripple Rejection
- 1.5A Output Current
- 4% Tolerance on Preset Output Voltage

DESCRIPTION

The LM79XX series of 3-terminal regulators is available with fixed output voltages of $-5V$, $-12V$, and $-15V$. These devices need only one external component—a compensation capacitor at the output. The LM79XX series is packaged in the TO-220 power package and is capable of supplying 1.5A of output current.

These regulators employ internal current limiting safe area protection and thermal shutdown for protection against virtually all overload conditions.

Low ground pin current of the LM79XX series allows output voltage to be easily boosted above the preset value with a resistor divider. The low quiescent current drain of these devices with a specified maximum change with line and load ensures good regulation in the voltage boosted mode.

For applications requiring other voltages, see LM137 datasheet.

Connection Diagram

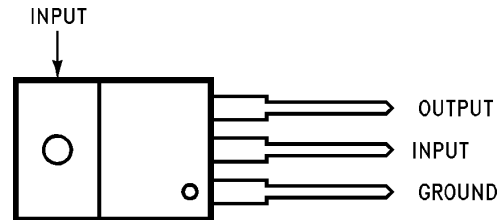
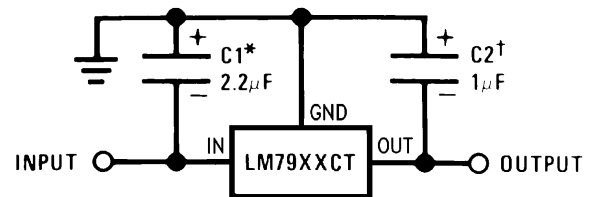


Figure 1. TO-220 Package Front View
See Package Number NDE0003B

Typical Applications



*Required if regulator is separated from filter capacitor by more than 3". For value given, capacitor must be solid tantalum. 25µF aluminum electrolytic may be substituted.

†Required for stability. For value given, capacitor must be solid tantalum. 25µF aluminum electrolytic may be substituted. Values given may be increased without limit.

For output capacitance in excess of 100µF, a high current diode from input to output (1N4001, etc.) will protect the regulator from momentary input shorts.

Figure 2. Fixed Regulator





These devices have limited built-in ESD protection. The leads should be shorted together or the device placed in conductive foam during storage or handling to prevent electrostatic damage to the MOS gates.

ABSOLUTE MAXIMUM RATINGS⁽¹⁾

Input Voltage	
($V_o = -5V$)	-25V
($V_o = -12V$ and $-15V$)	-35V
Input-Output Differential	
($V_o = -5V$)	25V
($V_o = -12V$ and $-15V$)	30V
Power Dissipation ⁽²⁾	Internally Limited
Operating Junction Temperature Range	0°C to +125°C
Storage Temperature Range	-65°C to +150°C
Lead Temperature (Soldering, 10 sec.)	230°C

- (1) Absolute Maximum Ratings indicate limits beyond which damage to the device may occur. Operating Ratings indicate conditions for which the device is intended to be functional, but do not ensure Specific Performance limits. For ensured specifications and test conditions, see the Electrical Characteristics.
- (2) Refer to [DESIGN CONSIDERATIONS](#) for details.

ELECTRICAL CHARACTERISTICS

Conditions unless otherwise noted: $I_{OUT} = 500mA$, $C_{IN} = 2.2\mu F$, $C_{OUT} = 1\mu F$, $0^\circ C \leq T_J \leq +125^\circ C$, Power Dissipation $\leq 1.5W$.

Part Number		LM7905C			Units	
Output Voltage		-5V				
Input Voltage (unless otherwise specified)		-10V				
Symbol	Parameter	Conditions	Min	Typ	Max	
V_o	Output Voltage	$T_J = 25^\circ C$ $5mA \leq I_{OUT} \leq 1A$, $P \leq 15W$	-4.8	-5.0	-5.2	V
			-4.75		-5.25	V
				($-20 \leq V_{IN} \leq -7$)		V
ΔV_o	Line Regulation	$T_J = 25^\circ C$, ⁽¹⁾		8	50	mV
				($-25 \leq V_{IN} \leq -7$)		V
				2	15	mV
	($-12 \leq V_{IN} \leq -8$)		V			
ΔV_o	Load Regulation	$T_J = 25^\circ C$, ⁽¹⁾ $5mA \leq I_{OUT} \leq 1.5A$ $250mA \leq I_{OUT} \leq 750mA$		15	100	mV
				5	50	mV
I_Q	Quiescent Current	$T_J = 25^\circ C$		1	2	mA
ΔI_Q	Quiescent Current Change	With Line With Load, $5mA \leq I_{OUT} \leq 1A$			0.5	mA
				($-25 \leq V_{IN} \leq -7$)		V
					0.5	mA
V_n	Output Noise Voltage Ripple Rejection	$T_A = 25^\circ C$, $10Hz \leq f \leq 100Hz$ $f = 120Hz$	54	125		μV
				66		dB
				($-18 \leq V_{IN} \leq -8$)		V
	Dropout Voltage	$T_J = 25^\circ C$, $I_{OUT} = 1A$		1.1		V
I_{OMAX}	Peak Output Current	$T_J = 25^\circ C$		2.2		A
	Average Temperature Coefficient of Output Voltage	$I_{OUT} = 5mA$, $0^\circ C \leq T_J \leq 100^\circ C$		0.4		mV/°C

- (1) Regulation is measured at a constant junction temperature by pulse testing with a low duty cycle. Changes in output voltage due to heating effects must be taken into account.

ELECTRICAL CHARACTERISTICS

 Conditions unless otherwise noted: $I_{OUT} = 500\text{mA}$, $C_{IN} = 2.2\mu\text{F}$, $C_{OUT} = 1\mu\text{F}$, $0^\circ\text{C} \leq T_J \leq +125^\circ\text{C}$, Power Dissipation $\leq 1.5\text{W}$.

Part Number			LM7912C			LM7915C			Units
Output Voltage			-12V			-15V			
Input Voltage (unless otherwise specified)			-19V			-23V			
Symbol	Parameter	Conditions	Min	Typ	Max	Min	Typ	Max	
V_O	Output Voltage	$T_J = 25^\circ\text{C}$	-11.5	-12.0	-12.5	-14.4	-15.0	-15.6	V
		$5\text{mA} \leq I_{OUT} \leq 1\text{A}$,	-11.4		-12.6	-14.25		-15.75	V
		$P \leq 15\text{W}$	$(-27 \leq V_{IN} \leq -14.5)$		$(-30 \leq V_{IN} \leq -17.5)$				V
ΔV_O	Line Regulation	$T_J = 25^\circ\text{C}$, ⁽¹⁾	5		80	5		100	mV
			$(-30 \leq V_{IN} \leq -14.5)$		$(-30 \leq V_{IN} \leq -17.5)$				V
			3		30	3		50	mV
			$(-22 \leq V_{IN} \leq -16)$		$(-26 \leq V_{IN} \leq -20)$				V
ΔV_O	Load Regulation	$T_J = 25^\circ\text{C}$, ⁽¹⁾			15	200			mV
			$5\text{mA} \leq I_{OUT} \leq 1.5\text{A}$				5	75	mV
			$250\text{mA} \leq I_{OUT} \leq 750\text{mA}$						
I_Q	Quiescent Current	$T_J = 25^\circ\text{C}$		1.5	3		1.5	3	mA
ΔI_Q	Quiescent Current Change	With Line	0.5			0.5			mA
		With Load, $5\text{mA} \leq I_{OUT} \leq 1\text{A}$	$(-30 \leq V_{IN} \leq -14.5)$			$(-30 \leq V_{IN} \leq -17.5)$			V
V_n	Output Noise Voltage Ripple Rejection	$T_A = 25^\circ\text{C}$, $10\text{Hz} \leq f \leq 100\text{Hz}$ $f = 120\text{Hz}$	300			375			μV
			54	70		54	70		dB
	Dropout Voltage	$T_J = 25^\circ\text{C}$, $I_{OUT} = 1\text{A}$	$(-25 \leq V_{IN} \leq -15)$			$(-30 \leq V_{IN} \leq -17.5)$			V
I_{OMAX}	Peak Output Current	$T_J = 25^\circ\text{C}$		2.2			2.2		A
	Average Temperature Coefficient of Output Voltage	$I_{OUT} = 5\text{mA}$, $0^\circ\text{C} \leq T_J \leq 100^\circ\text{C}$		-0.8			-1.0		mV/ $^\circ\text{C}$

(1) Regulation is measured at a constant junction temperature by pulse testing with a low duty cycle. Changes in output voltage due to heating effects must be taken into account.

DESIGN CONSIDERATIONS

The LM79XX fixed voltage regulator series has thermal overload protection from excessive power dissipation, internal short circuit protection which limits the circuit's maximum current, and output transistor safe-area compensation for reducing the output current as the voltage across the pass transistor is increased.

Although the internal power dissipation is limited, the junction temperature must be kept below the maximum specified temperature (125°C) in order to meet data sheet specifications. To calculate the maximum junction temperature or heat sink required, the following thermal resistance values should be used:

Package	Typ θ_{JC} °C/W	Max θ_{JC} °C/W	Typ θ_{JA} °C/W	Max θ_{JA} °C/W
TO-220	3.0	5.0	60	40

$$P_{D\text{ MAX}} = \frac{T_{J\text{ Max}} - T_A}{\theta_{JC} + \theta_{CA}} \text{ or } \frac{T_{J\text{ Max}} - T_A}{\theta_{JA}}$$

$$\theta_{CA} = \theta_{CS} + \theta_{SA} \text{ (without heat sink)} \quad (1)$$

Solving for T_J :

$$T_J = T_A + P_D (\theta_{JC} + \theta_{CA})$$

or

$$= T_A + P_D \theta_{JA} \text{ (without heat sink)}$$

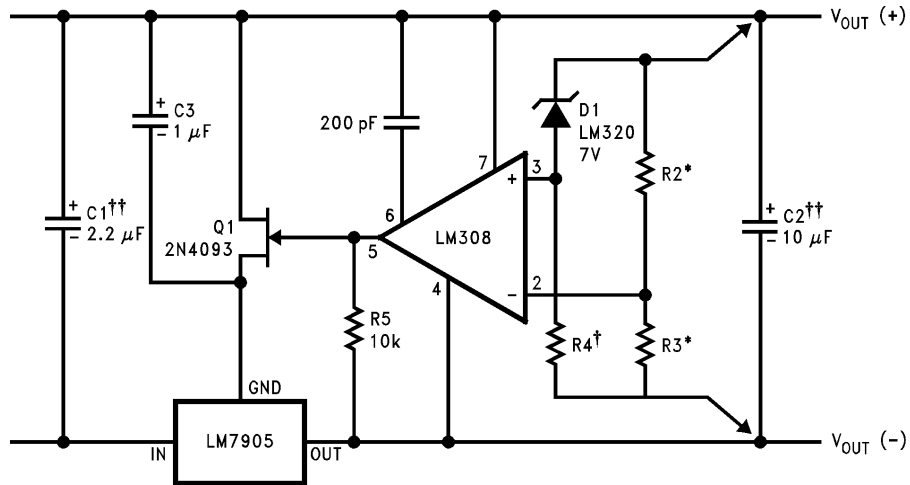
where

- T_J = Junction Temperature
- T_A = Ambient Temperature
- P_D = Power Dissipation
- θ_{JA} = Junction-to-Ambient Thermal Resistance
- θ_{JC} = Junction-to-Case Thermal Resistance
- θ_{CA} = Case-to-Ambient Thermal Resistance
- θ_{CS} = Case-to-Heat Sink Thermal Resistance
- θ_{SA} = Heat Sink-to-Ambient Thermal Resistance

Typical Applications

Bypass capacitors are necessary for stable operation of the LM79XX series of regulators over the input voltage and output current ranges. Output bypass capacitors will improve the transient response by the regulator.

The bypass capacitors, (2.2µF on the input, 1.0µF on the output) should be ceramic or solid tantalum which have good high frequency characteristics. If aluminum electrolytics are used, their values should be 10µF or larger. The bypass capacitors should be mounted with the shortest leads, and if possible, directly across the regulator terminals.



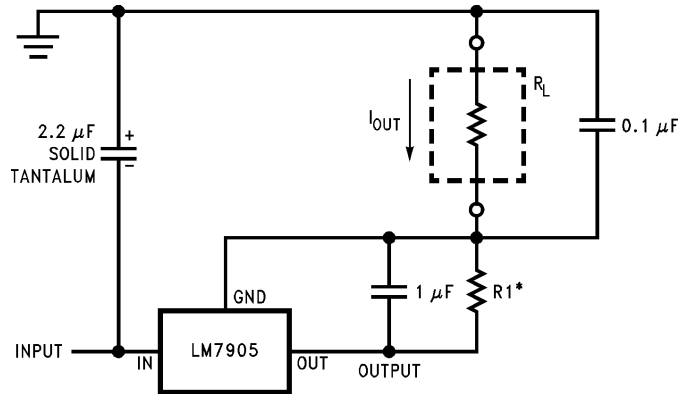
Load and line regulation < 0.01% temperature stability ≤ 0.2%

†Determine Zener current

††Solid tantalum

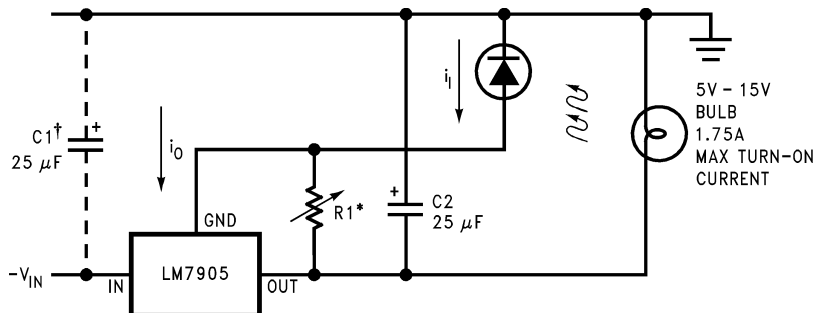
*Select resistors to set output voltage. 2 ppm/°C tracking suggested

Figure 3. High Stability 1 Amp Regulator



$$*I_{OUT} = 1 \text{ mA} + \frac{5\text{V}}{R1}$$

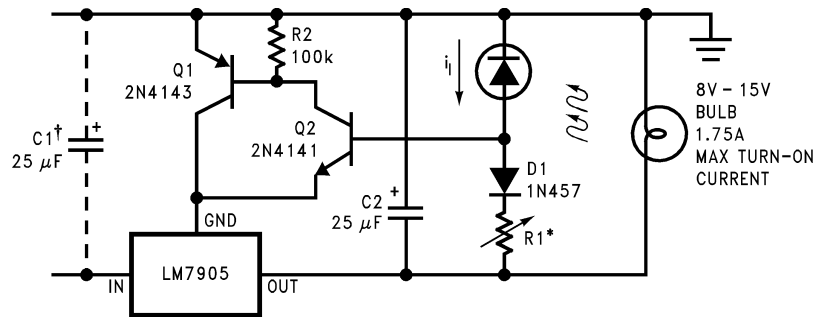
Figure 4. Current Source



*Lamp brightness increase until $i_1 = i_Q (\approx 1 \text{ mA}) + 5\text{V}/R1$.

†Necessary only if raw supply filter capacitor is more that 2" from LM7905CT

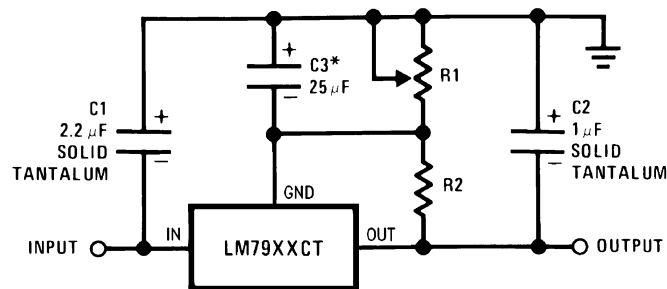
Figure 5. Light Controller Using Silicon Photo Cell



*Lamp brightness increases until $i_l = 5V/R1$ (i_l can be set as low as $1 \mu A$)

†Necessary only if raw supply filter capacitor is more that 2" from LM7905

Figure 6. High-Sensitivity Light Controller



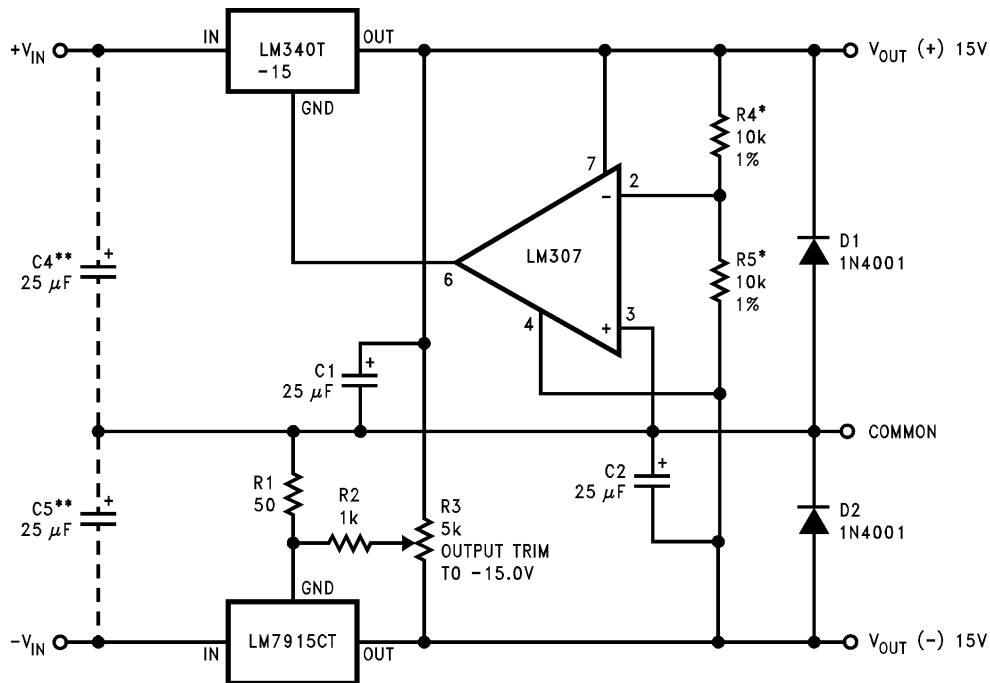
*Improves transient response and ripple rejection. Do not increase beyond $50 \mu F$.

$$V_{OUT} = V_{SET} \left(\frac{R1 + R2}{R2} \right)$$

Select R2 as follows:

LM7905CT	300Ω
LM7912CT	750Ω
LM7915CT	1k

Figure 7. Variable Output



	(-15)	(+15)
Load Regulation at $\Delta I_L = 1A$	40mV	2mV
Output Ripple, $C_{IN} = 3000\mu F$, $I_L = 1A$	100 μVms	100 μVms
Temperature Stability	50mV	50mV
Output Noise 10Hz $\leq f \leq 10kHz$	150 μVms	150 μVms

*Resistor tolerance of R4 and R5 determine matching of (+) and (-) outputs.

**Necessary only if raw supply filter capacitors are more than 3" from regulators.

Figure 8. $\pm 15V$, 1 Amp Tracking Regulators

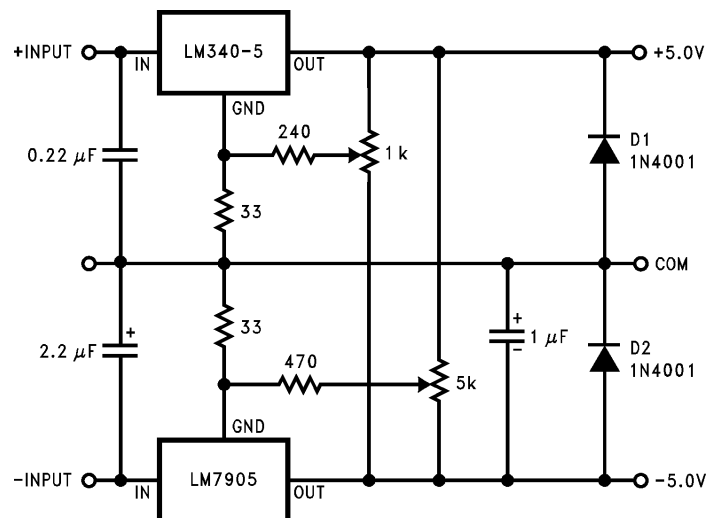


Figure 9. Dual Trimmed Supply

Schematic Diagrams

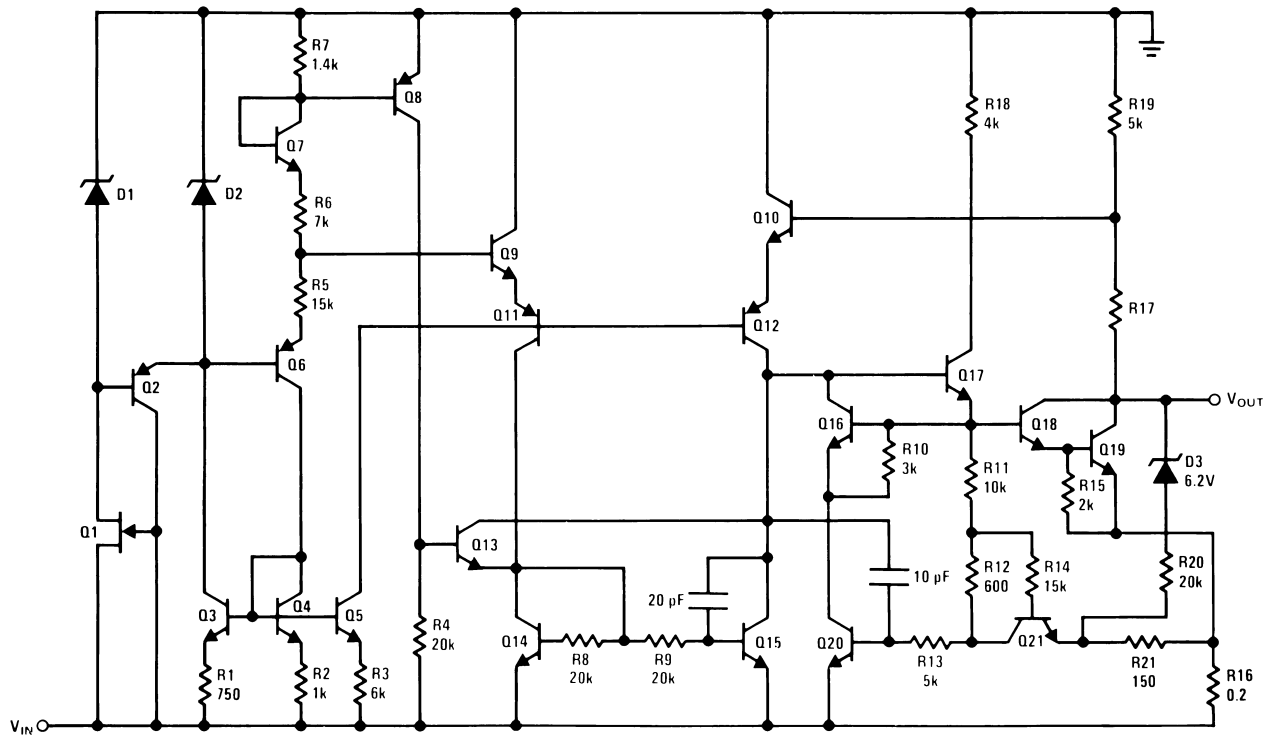


Figure 10. -5V

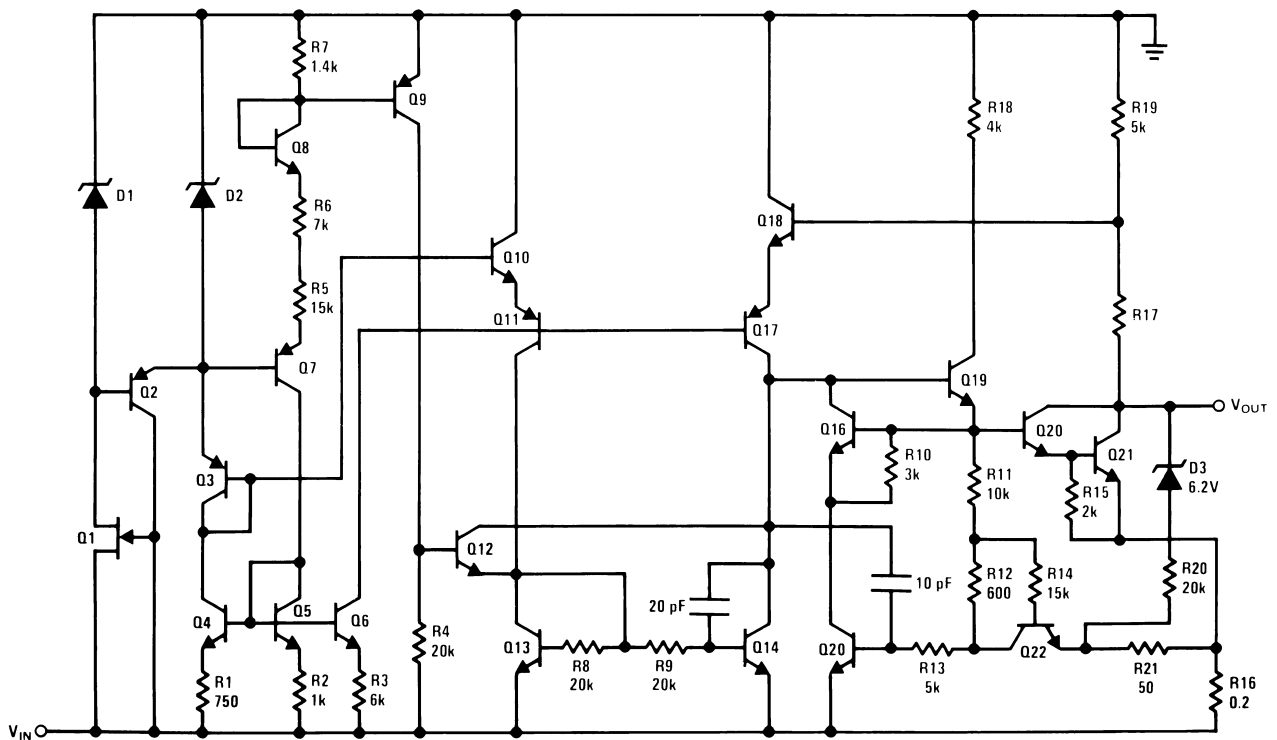


Figure 11. -12V and -15V

REVISION HISTORY

Changes from Revision B (May 2013) to Revision C **Page**

- Changed layout of National Data Sheet to TI format. **8**
-

PACKAGING INFORMATION

Orderable Device	Status (1)	Package Type	Package Drawing	Pins	Package Qty	Eco Plan (2)	Lead/Ball Finish (6)	MSL Peak Temp (3)	Op Temp (°C)	Device Marking (4/5)	Samples
LM7905CT	NRND	TO-220	NDE	3	45	TBD	Call TI	Call TI	0 to 125	LM7905CT	
LM7905CT/NOPB	ACTIVE	TO-220	NDE	3	45	Green (RoHS & no Sb/Br)	CU SN	Level-1-NA-UNLIM	0 to 125	LM7905CT	Samples
LM7912CT	NRND	TO-220	NDE	3	45	TBD	Call TI	Call TI	0 to 125	LM7912CT	
LM7912CT/NOPB	ACTIVE	TO-220	NDE	3	45	Green (RoHS & no Sb/Br)	CU SN	Level-1-NA-UNLIM	0 to 125	LM7912CT	Samples
LM7915CT	NRND	TO-220	NDE	3	45	TBD	Call TI	Call TI	0 to 125	LM7915CT	
LM7915CT/NOPB	ACTIVE	TO-220	NDE	3	45	Green (RoHS & no Sb/Br)	CU SN	Level-1-NA-UNLIM	0 to 125	LM7915CT	Samples

(1) The marketing status values are defined as follows:

ACTIVE: Product device recommended for new designs.

LIFEBUY: TI has announced that the device will be discontinued, and a lifetime-buy period is in effect.

NRND: Not recommended for new designs. Device is in production to support existing customers, but TI does not recommend using this part in a new design.

PREVIEW: Device has been announced but is not in production. Samples may or may not be available.

OBsolete: TI has discontinued the production of the device.

(2) **RoHS:** TI defines "RoHS" to mean semiconductor products that are compliant with the current EU RoHS requirements for all 10 RoHS substances, including the requirement that RoHS substance do not exceed 0.1% by weight in homogeneous materials. Where designed to be soldered at high temperatures, "RoHS" products are suitable for use in specified lead-free processes. TI may reference these types of products as "Pb-Free".

RoHS Exempt: TI defines "RoHS Exempt" to mean products that contain lead but are compliant with EU RoHS pursuant to a specific EU RoHS exemption.

Green: TI defines "Green" to mean the content of Chlorine (Cl) and Bromine (Br) based flame retardants meet JS709B low halogen requirements of <=1000ppm threshold. Antimony trioxide based flame retardants must also meet the <=1000ppm threshold requirement.

(3) MSL, Peak Temp. - The Moisture Sensitivity Level rating according to the JEDEC industry standard classifications, and peak solder temperature.

(4) There may be additional marking, which relates to the logo, the lot trace code information, or the environmental category on the device.

(5) Multiple Device Markings will be inside parentheses. Only one Device Marking contained in parentheses and separated by a "~" will appear on a device. If a line is indented then it is a continuation of the previous line and the two combined represent the entire Device Marking for that device.

(6) Lead/Ball Finish - Orderable Devices may have multiple material finish options. Finish options are separated by a vertical ruled line. Lead/Ball Finish values may wrap to two lines if the finish value exceeds the maximum column width.



www.ti.com

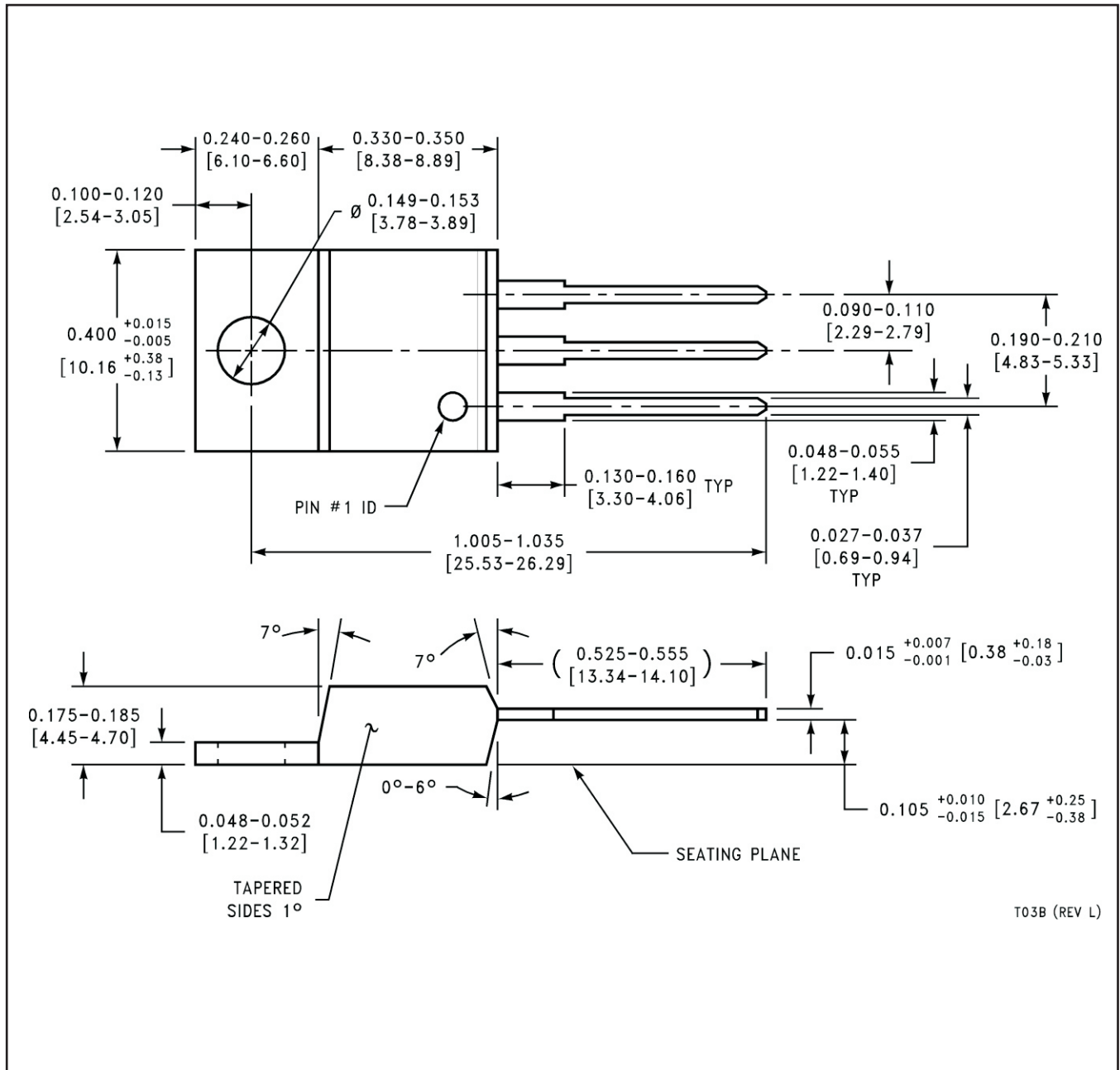
PACKAGE OPTION ADDENDUM

3-May-2017

Important Information and Disclaimer:The information provided on this page represents TI's knowledge and belief as of the date that it is provided. TI bases its knowledge and belief on information provided by third parties, and makes no representation or warranty as to the accuracy of such information. Efforts are underway to better integrate information from third parties. TI has taken and continues to take reasonable steps to provide representative and accurate information but may not have conducted destructive testing or chemical analysis on incoming materials and chemicals. TI and TI suppliers consider certain information to be proprietary, and thus CAS numbers and other limited information may not be available for release.

In no event shall TI's liability arising out of such information exceed the total purchase price of the TI part(s) at issue in this document sold by TI to Customer on an annual basis.

NDE0003B



IMPORTANT NOTICE

Texas Instruments Incorporated (TI) reserves the right to make corrections, enhancements, improvements and other changes to its semiconductor products and services per JESD46, latest issue, and to discontinue any product or service per JESD48, latest issue. Buyers should obtain the latest relevant information before placing orders and should verify that such information is current and complete.

TI's published terms of sale for semiconductor products (<http://www.ti.com/sc/docs/stdterms.htm>) apply to the sale of packaged integrated circuit products that TI has qualified and released to market. Additional terms may apply to the use or sale of other types of TI products and services.

Reproduction of significant portions of TI information in TI data sheets is permissible only if reproduction is without alteration and is accompanied by all associated warranties, conditions, limitations, and notices. TI is not responsible or liable for such reproduced documentation. Information of third parties may be subject to additional restrictions. Resale of TI products or services with statements different from or beyond the parameters stated by TI for that product or service voids all express and any implied warranties for the associated TI product or service and is an unfair and deceptive business practice. TI is not responsible or liable for any such statements.

Buyers and others who are developing systems that incorporate TI products (collectively, "Designers") understand and agree that Designers remain responsible for using their independent analysis, evaluation and judgment in designing their applications and that Designers have full and exclusive responsibility to assure the safety of Designers' applications and compliance of their applications (and of all TI products used in or for Designers' applications) with all applicable regulations, laws and other applicable requirements. Designer represents that, with respect to their applications, Designer has all the necessary expertise to create and implement safeguards that (1) anticipate dangerous consequences of failures, (2) monitor failures and their consequences, and (3) lessen the likelihood of failures that might cause harm and take appropriate actions. Designer agrees that prior to using or distributing any applications that include TI products, Designer will thoroughly test such applications and the functionality of such TI products as used in such applications.

TI's provision of technical, application or other design advice, quality characterization, reliability data or other services or information, including, but not limited to, reference designs and materials relating to evaluation modules, (collectively, "TI Resources") are intended to assist designers who are developing applications that incorporate TI products; by downloading, accessing or using TI Resources in any way, Designer (individually or, if Designer is acting on behalf of a company, Designer's company) agrees to use any particular TI Resource solely for this purpose and subject to the terms of this Notice.

TI's provision of TI Resources does not expand or otherwise alter TI's applicable published warranties or warranty disclaimers for TI products, and no additional obligations or liabilities arise from TI providing such TI Resources. TI reserves the right to make corrections, enhancements, improvements and other changes to its TI Resources. TI has not conducted any testing other than that specifically described in the published documentation for a particular TI Resource.

Designer is authorized to use, copy and modify any individual TI Resource only in connection with the development of applications that include the TI product(s) identified in such TI Resource. NO OTHER LICENSE, EXPRESS OR IMPLIED, BY ESTOPPEL OR OTHERWISE TO ANY OTHER TI INTELLECTUAL PROPERTY RIGHT, AND NO LICENSE TO ANY TECHNOLOGY OR INTELLECTUAL PROPERTY RIGHT OF TI OR ANY THIRD PARTY IS GRANTED HEREIN, including but not limited to any patent right, copyright, mask work right, or other intellectual property right relating to any combination, machine, or process in which TI products or services are used. Information regarding or referencing third-party products or services does not constitute a license to use such products or services, or a warranty or endorsement thereof. Use of TI Resources may require a license from a third party under the patents or other intellectual property of the third party, or a license from TI under the patents or other intellectual property of TI.

TI RESOURCES ARE PROVIDED "AS IS" AND WITH ALL FAULTS. TI DISCLAIMS ALL OTHER WARRANTIES OR REPRESENTATIONS, EXPRESS OR IMPLIED, REGARDING RESOURCES OR USE THEREOF, INCLUDING BUT NOT LIMITED TO ACCURACY OR COMPLETENESS, TITLE, ANY EPIDEMIC FAILURE WARRANTY AND ANY IMPLIED WARRANTIES OF MERCHANTABILITY, FITNESS FOR A PARTICULAR PURPOSE, AND NON-INFRINGEMENT OF ANY THIRD PARTY INTELLECTUAL PROPERTY RIGHTS. TI SHALL NOT BE LIABLE FOR AND SHALL NOT DEFEND OR INDEMNIFY DESIGNER AGAINST ANY CLAIM, INCLUDING BUT NOT LIMITED TO ANY INFRINGEMENT CLAIM THAT RELATES TO OR IS BASED ON ANY COMBINATION OF PRODUCTS EVEN IF DESCRIBED IN TI RESOURCES OR OTHERWISE. IN NO EVENT SHALL TI BE LIABLE FOR ANY ACTUAL, DIRECT, SPECIAL, COLLATERAL, INDIRECT, PUNITIVE, INCIDENTAL, CONSEQUENTIAL OR EXEMPLARY DAMAGES IN CONNECTION WITH OR ARISING OUT OF TI RESOURCES OR USE THEREOF, AND REGARDLESS OF WHETHER TI HAS BEEN ADVISED OF THE POSSIBILITY OF SUCH DAMAGES.

Unless TI has explicitly designated an individual product as meeting the requirements of a particular industry standard (e.g., ISO/TS 16949 and ISO 26262), TI is not responsible for any failure to meet such industry standard requirements.

Where TI specifically promotes products as facilitating functional safety or as compliant with industry functional safety standards, such products are intended to help enable customers to design and create their own applications that meet applicable functional safety standards and requirements. Using products in an application does not by itself establish any safety features in the application. Designers must ensure compliance with safety-related requirements and standards applicable to their applications. Designer may not use any TI products in life-critical medical equipment unless authorized officers of the parties have executed a special contract specifically governing such use. Life-critical medical equipment is medical equipment where failure of such equipment would cause serious bodily injury or death (e.g., life support, pacemakers, defibrillators, heart pumps, neurostimulators, and implantables). Such equipment includes, without limitation, all medical devices identified by the U.S. Food and Drug Administration as Class III devices and equivalent classifications outside the U.S.

TI may expressly designate certain products as completing a particular qualification (e.g., Q100, Military Grade, or Enhanced Product). Designers agree that it has the necessary expertise to select the product with the appropriate qualification designation for their applications and that proper product selection is at Designers' own risk. Designers are solely responsible for compliance with all legal and regulatory requirements in connection with such selection.

Designer will fully indemnify TI and its representatives against any damages, costs, losses, and/or liabilities arising out of Designer's non-compliance with the terms and provisions of this Notice.